

IIJA Internet Access offers a reliable dedicated connection that connects to the IIJ group's Internet backbone network.

T-CLASS Internet Access

Features

- Network Monitoring: 24/365
- Tech Support: 24/365
- Tech support offered in English and Japanese

Internet access lineup: T1/T3, Fast Ethernet, DSL, Dialup

T-CLASS service is available with T1 and T3 services. In addition to the traditional IPv4, next generation IPv6 service is also available.

T1

Service Outline

- Bandwidth: as shown in the table at right
- Fees: Contact IIJA for a quotation
- Service offered anywhere in the US (inquire for details)
- IP address allocation (6)
- Other fees: Location changes, NOC changes etc. quoted when needed
- Lead time: New services can be started in six weeks or less.
- Minimum contract term: 1 year
- Option: Managed Router (IIJ SEIL)
- 24/365 network monitoring and technical support
- Bilingual tech support in English and Japanese

Speed
1.5Mbps
1Mbps
768Kbps
512Kbps
384Kbps

FIXED T-3

Service Outline

- Bandwidth: 3-45 Mbps
- Fees: Contact IIJA for a quotation.
- Service Areas: New York, Palo Alto, San Jose, Los Angeles
- 24/365 network monitoring and technical support
- Bilingual tech support in English and Japanese

BURSTABLE T-3

Service Outline

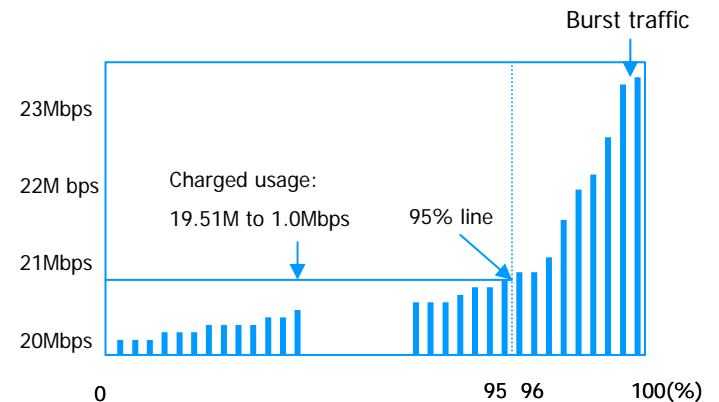
Dedicated T3 (45Mbps) Internet connection priced on traffic usage

* Economical pricing based on the traffic the customer uses

- Bandwidth: Up to 45Mbps
- Fees: Pricing based on traffic usage (contact IIJA for details)
- Service Areas: New York, Palo Alto, San Jose, Los Angeles
- 24/365 network monitoring and technical support
- Bilingual tech support in English and Japanese

Fee Calculator

- In-bound and out-bound traffic are each measured every 5 minutes to determine average traffic in each direction.
- The higher average of the two (In-Bound and Out-Bound traffic) is used as the measure of average traffic for the billing period.
- The individual, 5-minute traffic measurements are then lined up from smallest to largest over the entire month. The top 5% of these periods is removed, and the value left at the top (at the 95% position) is used to calculate charged bandwidth.
- The top 5% of all measures (equal to 1.2 hours of service per day) are omitted to determine the 95% traffic level for the month. Service fees are then calculated based on this 95% level.

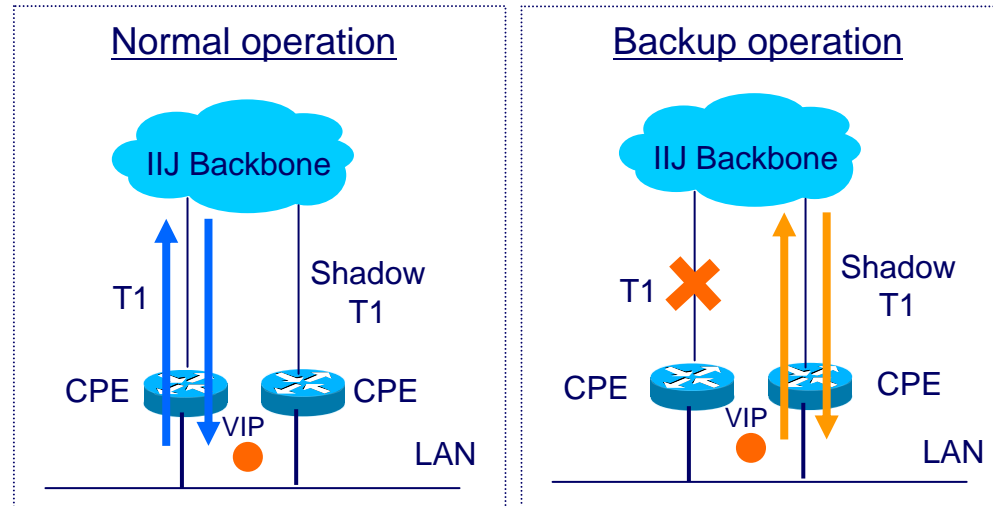


IIJA offers redundancy configurations to automatically protect customers with critical connectivity requirements from local line problems or hardware failures.

Service Outline

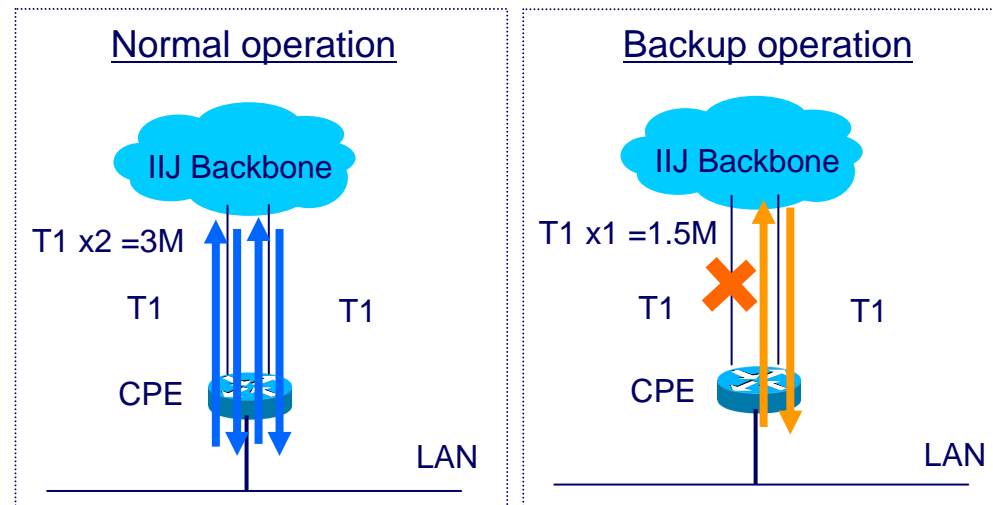
Shadow T1 Configuration

- Main T1 line plus backup T1 line by a different carrier
- Redundant CPE router configuration is seen as a single router from the LAN side
- The router automatically redirects the traffic to the shadow T1 when the main T1 line fails.
- 2 T1 lines are not used simultaneously.



Double T1 Configuration

- Main T1 line and backup T1 line by a different carrier terminate at T1 WANx2 router.
- T1x2 3Mbps bandwidth is available for use during normal operation (load balancing on a per packet basis)
- The backup T1 line is available for use when the main T1 fails.
- Bandwidth expandable up to T1x4 (6Mbps) with the same carrier



IIJA offers redundancy configurations to automatically protect customers with critical connectivity requirements from local line problems or hardware failures.

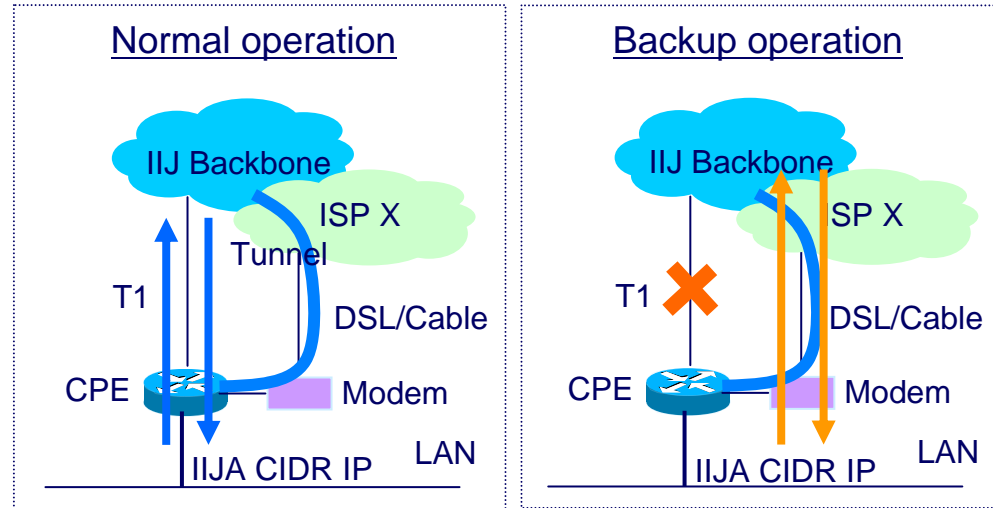
Service Outline

■ DSL Backup Configuration

- Main T1 line plus a backup DSL/Cable line from a different ISP
- IIJA creates a GRE tunnel between the IIJA Backbone and CPE over the ISP's connection.
- The router automatically redirects traffic to the backup DSL/Cable link if the main T1 line is down.
- The same LAN IIJA CIDR IP address is available for customer use while the backup solution is active.
- Failover to the backup solution requires no customer-side firewall, remote VPN or server changes.

■ Other Configurations

IIJA has extensive expertise in multi-homed BGP connections such as T3+T1 and T1+DSL. IIJA engineers will consult with you to find the solution that best fits your requirements.



IIJA ETHERNET Internet Access offers IIJA's data center customers a direct connection to the IIJ backbone network. Coupled with IIJA data center colocation, the service benefits the customer with reliable access to the Internet.

FIXED 10M/100M FAST ETHERNET

Service Outline

- Bandwidth: 1Mbps to 100Mbps
- Fees: Contact IIJA for a quotation
- Service Areas: IIJA POP data centers (New York, Palo Alto, San Jose, Los Angeles)
- 24/365 network monitoring and technical support
- Bilingual technical support in English and Japanese

BURSTABLE 10/100 FAST ETHERNET

Service Outline

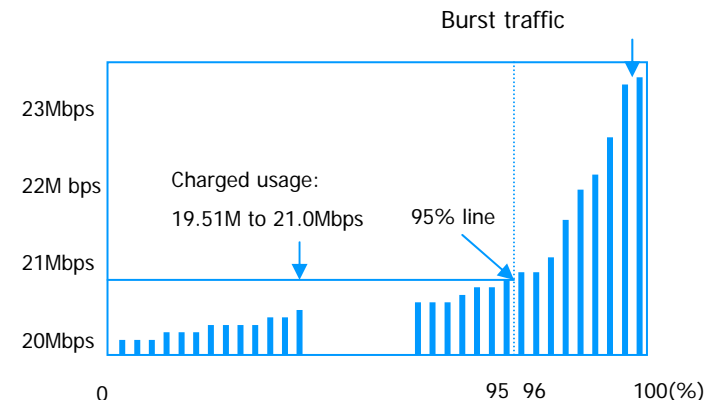
Dedicated T3 (45Mbps) Internet connection priced on traffic usage

* Economical pricing based on the traffic the customer uses

- Bandwidth: 10Mbps, or up to 100Mbps
- Fees: Pricing based on traffic usage (contact IIJA for details)
- Service Areas: IIJA POP data centers (New York, Palo Alto, San Jose, Los Angeles)
- 24/365 network monitoring and technical support
- Bilingual technical support in English and Japanese

Fee Calculator

- In-bound and out-bound traffic are each measured every 5 minutes to determine average traffic in each direction.
- The higher average of the two (In-Bound and Out-Bound traffic) is used as the measure of average traffic for the billing period.
- The individual, 5-minute traffic measurements are then lined up from smallest to largest over the entire month. The top 5% of these periods is removed, and the value left at the top (at the 95% position) is used to calculate charged bandwidth.
- The top 5% of all measures (equal to 1.2 hours of service per day) are omitted to determine the 95% traffic level for the month. Service fees are then calculated based on this 95% level.



IIJA DSL Internet Access is best suited for price conscious customer who seeks economically priced Internet service. IIJA offers business class SDSL (Symmetric Digital Subscriber Line).

Service Outline

- Bandwidth: as shown in the table at right
- Fee: Contact IIJA for a quotation
- Service Areas: Contact IIJA for details
- Network monitoring: 24/365
- Technical support: 24/365
- Bilingual tech support in English and Japanese
- IP address allocation (6; additional fee for 14 or more)
- Lead time: New services can be started in six weeks or less
- Minimum contract term: 1 year

Speed
128K/144K IDSL
160K/160K SDSL
384K/384K SDSL
768K/768K SDSL
1M/1M SDSL

IIJA Dialup Internet Access is a business class dialup IP connection service. The service is convenient for the users who are out of the office or as a backup connectivity at the customer's office. Roaming option allows the use from overseas locations as well as within the U.S.

Service Outline

■ Fees

Setup fee: \$50

Monthly fee: \$85

- * Includes 10 dialup accounts per service agreement
- * Includes 2 hours user per dialup account per month
- * Additional time charged at \$0.05/minute

■ Option: Toll Free Roaming Service

US: \$0.35/minute

- * Contact IIJA for information on international roaming

■ Access Points

DIALUP ADVANCED features a large number of dialup access points in all regions of Japan, as well as in the NYC Metro (including many New Jersey locations) and the San Francisco Bay Area.

The roaming option gives additional toll-free access from all 50 of the United States.

For users who seek a global roaming package, we are able to offer additional packages featuring additional add-on options through international providers such as EQUANT and GRIC.

